

This material is posted here with permission of the IEEE. Such permission of the IEEE does not in any way imply IEEE endorsement of any of Helsinki University of Technology's products or services. Internal or personal use of this material is permitted. However, permission to reprint/republish this material for advertising or promotional purposes or for creating new collective works for resale or redistribution must be obtained from the IEEE by writing to [pubs-permissions@ieee.org](mailto:pubs-permissions@ieee.org).

By choosing to view this document, you agree to all provisions of the copyright laws protecting it.

# Spatio–Temporal Chaos in the Transverse Section of Gyrotron Resonators

Markus I. Airila and Olgierd Dumbrajs, *Senior Member, IEEE*

**Abstract**—Nonstationary oscillations in gyrotrons are investigated for large azimuthal indices of modes leading in the transverse section of gyrotron resonators to spatial chaos in azimuthal direction. Limiting values of the azimuthal index  $m$  of the mode, beyond which stationary single-mode operation of a gyrotron becomes impossible, are found.

**Index Terms**—Gyrotron, spatio–temporal chaos.

## I. INTRODUCTION

IN CONNECTION with striving to develop high-frequency high-power gyrotrons needed for modern fusion reactors, it is appropriate to study under what circumstances chaos-like processes can occur in gyrotrons. Recently [1], [2], we studied the onset of stochastic oscillations in gyrotrons by means of the self-consistent theory describing nonstationary processes. Complicated alternating sequences of regions of stationary, automodulation, and chaotic oscillations were found in the plane of the generalized gyrotron variables: cyclotron resonance mismatch and dimensionless current. Traces of period doubling and intermittency on the route to chaos were discovered. In those studies, it was assumed that the transverse structure of RF field in the resonator is fixed and can be represented by a single TE mode of a cylindrical resonator. If the diameter of a resonator is much larger than the wavelength, as is the case in high-frequency and high-power gyrotrons, many resonator modes may fall within the cyclotron resonance band. In such a case, as was suggested in [3], it is meaningful to go over from a single-mode representation of RF field to a spatio–temporal description in which the envelope of the RF field is a continuous function of transversal coordinates. In [4], this approach was generalized to the case of variable azimuthal as well as longitudinal coordinates. In the present paper, we present a simple and mathematically transparent method of solving the underlying equations. Detailed calculations result in specifying critical values of the azimuthal index of the mode beyond which gyrotron oscillations become irregular in the azimuthal direction at particular values of cyclotron resonance mismatch and dimensionless current.

Manuscript received November 16, 2001; revised January 25, 2002. The work of M. I. Airila was supported by the KAUTE foundation and by the Jenny and Antti Wihuri foundation.

The authors are with the Department of Engineering Physics and Mathematics, Helsinki University of Technology, Association EURATOM-TEKES, FIN-02015 Espoo, Finland (e-mail: markus.airila@hut.fi; olgierd.dumbrajs@hut.fi).

Digital Object Identifier 10.1109/TPS.2002.802149

## II. GYROTRON EQUATIONS

Electron motion and the time- and spatially dependent high-frequency field in the resonator can be calculated from the following [4]:

$$\begin{cases} \frac{dp}{d\zeta} + i(\Delta + |p|^2 - 1)p = if(\zeta, \xi, \tau) \\ \frac{\partial^2 f}{\partial \zeta^2} - i \frac{\partial f}{\partial \tau} - i \frac{\partial f}{\partial \xi} + \delta f = \frac{I}{2\pi} \int_0^{2\pi} p d\vartheta_0 \end{cases} \quad (1)$$

where  $p$  is the complex transverse momentum of the electron normalized to its initial absolute value,  $\zeta = (\beta_{\perp 0}^2 \omega / 2\beta_{\parallel 0} c)z$  and  $\xi = (1/8)\alpha^2 \beta_{\perp 0}^2 m \varphi$  are dimensionless axial and azimuthal coordinates, respectively,  $\beta_{\perp 0} = v_{\perp 0}/c$  and  $\beta_{\parallel 0} = v_{\parallel 0}/c$  are normalized electron velocities,  $\alpha = \beta_{\perp 0}/\beta_{\parallel 0}$  is the pitch factor,  $\Delta = 2(\omega - \omega_c)/\beta_{\perp 0}^2 \omega$  is the frequency mismatch,  $\omega_c/2\pi = 28B/\gamma_{\text{rel}}$  is the electron cyclotron frequency in GHz,  $B$  is the magnetic field in T,  $\gamma_{\text{rel}}$  is the relativistic factor of electrons,  $f(\zeta, \xi, \tau)$  is the high-frequency field in the resonator,  $\tau = (1/8)\beta_{\perp 0}^4 \beta_{\parallel 0}^{-2} \omega c t$  is the dimensionless time,  $\delta = 8\beta_{\parallel 0}^2 \beta_{\perp 0}^{-4} [\bar{\omega} - \omega(\zeta)]\omega_c^{-1}$  describes variation of the cut-off frequency  $\omega(\zeta)$  along the resonator axis,  $\bar{\omega}$  is the cut-off frequency at the exit from the resonator, and  $I$  is the dimensionless current

$$I = 9.4 \cdot 10^{-4} I_0 \beta_{\parallel 0} \beta_{\perp 0}^{-6} \frac{J_{m\pm 1}^2\left(\frac{2\pi}{\lambda} R_{\text{el}}\right)}{\gamma_{\text{rel}}(\nu^2 - m^2) J_m^2(\nu)}. \quad (2)$$

Here,  $I_0$  is the beam current in amperes,  $J$  is the Bessel function,  $m$  is the azimuthal index of the mode,  $\lambda$  is the wavelength,  $R_{\text{el}}$  is the electron beam radius, and  $\nu$  is the zero of the derivative of the Bessel function. This description is valid for operation at the fundamental cyclotron resonance.

The system of (1) has to be supplemented by the standard initial condition for the momentum,  $p(0) = \exp(i\vartheta_0)$  with  $0 \leq \vartheta_0 \leq 2\pi$ , and by the boundary condition for the field at the entrance to the interaction space

$$f(0, \tau) = 0 \quad (3)$$

which means that at the entrance the field must vanish. At the exit from the interaction space ( $\zeta = \zeta_{\text{out}}$ ) the so-called reflectionless boundary condition is applied

$$\left( f(\zeta, \xi, \tau) + \frac{1}{\sqrt{\pi i}} \int_0^\tau \frac{1}{\sqrt{\tau - \tau'}} \frac{\partial f(\zeta, \xi, \tau')}{\partial \zeta} d\tau' \right) \Bigg|_{\zeta=\zeta_{\text{out}}} = 0. \quad (4)$$

In the azimuthal direction, periodic boundary conditions are used.



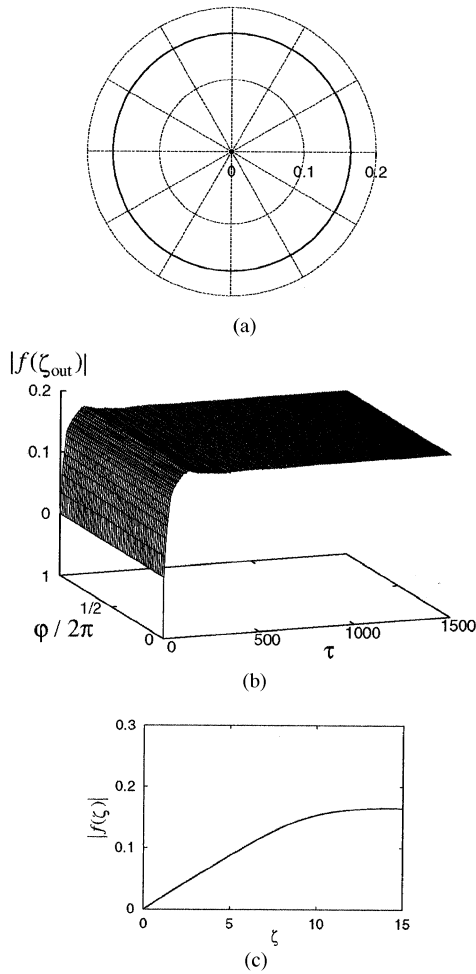


Fig. 1.  $I = 0.01$ ,  $\Delta = 0.60$ , and  $m = 45$ . (a) Stationary RF field amplitude at the output cross section as a function of azimuthal angle. (b) RF field amplitude at the output cross section as a function of azimuthal angle and time. (c) Axial profile of the stationary RF field.

matrix has about  $10^7$  elements. Since only about  $10^4$  of these are nonzero, the solution can be efficiently found using sparse matrix techniques. We applied the IMSL routine DLSSLZG [5] and were able to proceed with small temporal steps ( $\Delta\tau = 0.1$ ) at a reasonable rate.

## V. RESULTS

Our extensive study of the solutions for (1) in the parameter space reveals that essentially three types of oscillations exist. Starting with a small  $m$  in the region of stationary oscillations, we can expect practically the same kind of axial field profile and temporal behavior as was seen in our previous study [1] in only one spatial dimension. However, with increasing  $m$ , we always encounter a limit where the stationary solution breaks down. We denote by  $m_{\text{crit}}$  the highest  $m$  yielding a stationary field.

Stationary oscillations are illustrated by Fig. 1, which corresponds to the operating parameters  $I = 0.01$ ,  $\Delta = 0.60$ , and  $m = 45$ . In Fig. 1(a), we show the RF field amplitude at  $\zeta = \zeta_{\text{out}}$  as a function of azimuthal angle. In Fig. 1(b), the same quantity is plotted as a function of the angle and time. Fig. 1(c) shows the axial field profile.

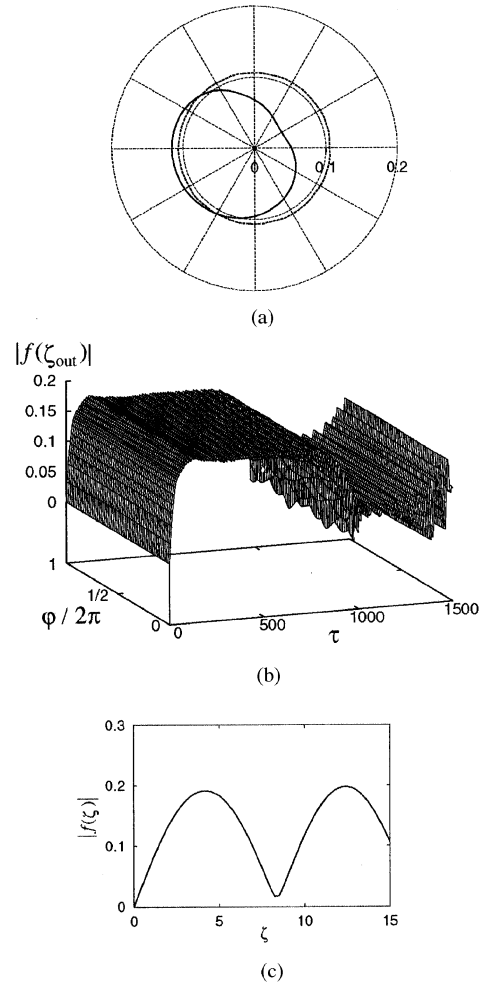


Fig. 2.  $I = 0.01$ ,  $\Delta = 0.60$ , and  $m = 50$ . (a) RF field amplitude at the output cross section as a function of azimuthal angle at  $\tau = 950$  (solid line) and at  $\tau = 4000$  (dashed line). (b) RF field amplitude as a function of azimuthal angle and time. (c) Axial profile of the RF field at  $\tau = 4000$ .

Moving to a slightly higher  $m$  while staying at the same point in the  $(\Delta, I)$  plane, we find a dramatic difference. As is shown in Fig. 2, with  $m = 50$  there is a transition period during which the field changes from the optimal shape shown in Fig. 1(c) into a less favorable configuration with two maxima in the axial direction, shown in Fig. 2(c). During this transition caused by competition of modes with different axial indices, the field structure varies rapidly in time and space and resembles transient chaos.

To illustrate spatio-temporal chaos, we show similar figures for  $I = 0.10$ ,  $\Delta = 0.20$ , and  $m = 10$ . For such a high current, the field soon becomes very irregular both in axial and azimuthal coordinates (see Fig. 3).

The values of  $m_{\text{crit}}$  for different  $I$  and  $\Delta$  are shown in Fig. 4. At some points in the  $(\Delta, I)$  plane, the difference between stationary and nonstationary oscillations shows up too slowly for practical detection. We estimate the error of the given values of  $m_{\text{crit}}$  to be  $\pm 2$ .

## VI. CONCLUSION

Our study shows that there exist maximal values  $m_{\text{crit}}$  of the azimuthal index  $m$  beyond which stationary single-mode op-

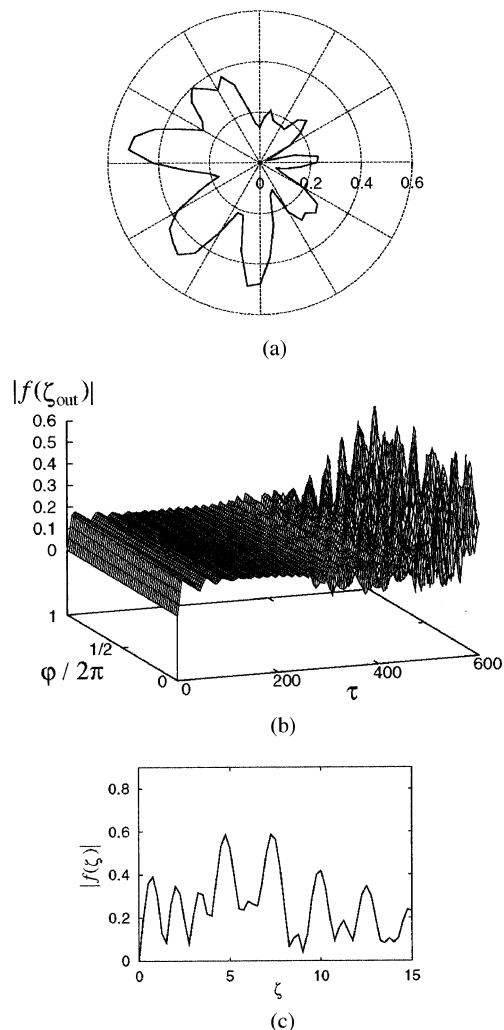


Fig. 3.  $I = 0.10$ ,  $\Delta = 0.20$ ,  $m = 10$ . (a) Momentary RF field amplitude at the output cross section as a function of azimuthal angle at  $\tau = 570$ . (b) RF field amplitude as a function of azimuthal angle and time. (c) Axial profile of the RF field at  $\tau = 570$  and  $\varphi = 0$ .

eration of a gyrotron is no longer possible. Surprisingly, these critical numbers are rather low ( $m_{\text{crit}} \lesssim 46$ ) for a high-power gyrotron with typical operation parameters  $\alpha = 1.35$  and  $U = 92$  kV (compare with [4]) even in the region of highest efficiencies. This puts natural limits for the attempts to minimize Ohmic losses by going over to large-diameter cavities and to high-order whispering gallery operating modes. This means also that the azimuthal index  $m$  of the mode of a gyrotron which could operate both in the fundamental and second harmonic should be  $\lesssim 23$ .

## VII. OUTLOOK

The onset of stochastic oscillations has also been studied experimentally [6], [7], in the case of low-order modes, low currents, tapered waveguide, and reflections. It has been found that stochastic oscillations already appear at a few amperes. For example, the stochastic operation point of the gyrotron with a tapered waveguide and reflections studied in [7] corresponds to

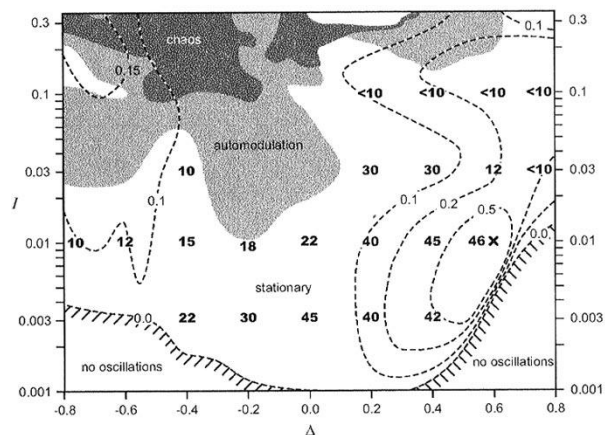


Fig. 4. The upper limit in  $m$  for stationary gyrotron oscillations in the  $(\Delta, I)$  plane (numbers in boldface). The background shows the topology of different kinds of oscillations of a gyrotron according to one-dimensional calculations [1]. Here, white regions correspond to stationary oscillations, gray regions correspond to automodulation, and dark regions to chaotic oscillations. The contours of constant efficiency are shown by the dashed curves, and the point of maximum efficiency  $\eta_{\perp}^{\text{max}} = 0.75$  is marked by a cross.

$\Delta = 0.75$  and  $I = 0.02$ . However, this is not in conflict with our results presented in Fig. 4. The point is that in the present study we restrict ourselves to cylindrical cavities [ $\delta = 0$  in (1)] and consider only the reflectionless case [(4)]. It can be expected that reflections [6], and tapering [8], [9] significantly lower the border of onset of stochastic oscillations. Generalized theory with allowance for reflections will be published somewhere else [10].

Finally, we would like to mention the subject of controlling chaos which has not yet been studied in gyrotrons. For example, one could imagine to control chaos by converting a chaotic attractor to any one of a large number of possible attracting time-periodic motions by making only small time-dependent perturbations of an available system parameter [11]. In the case of gyrotrons for  $m < m_{\text{crit}}$  in the regions where only temporal chaos occurs, one would wish to stabilize definite shapes of  $|f(\zeta)|$ , e.g., those with only one or two maxima which provide high-gyrotron efficiency. Is this feasible by making only *small* time-dependent adjustments of control parameters  $\Delta$  and  $I$ ? Probably yes, if done quickly enough. A study of this possibility is beyond the scope of the present paper.

## REFERENCES

- [1] M. I. Airila, O. Dumbrajs, A. Reinfelds, and U. Strautiņš, "Nonstationary oscillations in gyrotrons," *Phys. Plasmas*, vol. 8, pp. 4608–4612, 2001.
- [2] M. I. Airila and O. Dumbrajs, "Stochastic oscillations in gyrotrons," in *Proc. 26th Int. Conf. Infrared and Millimeter Waves*, Toulouse, France, Sept. 10–13, 2001.
- [3] M. Petelin, "Electron selection of modes in a gyrotron," in *Gyrotron*. Gorky, U.S.S.R.: Inst. Appl. Phys., Academy of Sciences of U.S.S.R., 1981, pp. 77–85.
- [4] N. A. Zavol'sky and G. S. Nusinovich, "Nonstationary processes in a gyrotron with nonfixed structure of RF field," *Radiotekh. Elektron.*, vol. 36, pp. 135–141, 1991.
- [5] Visual Numerics, Inc., IMSL Math/Library, vol. 1 and 2, 1997.
- [6] N. S. Ginzburg, M. Yu. Glyavin, M. A. Moiseev, Yu. V. Novozhilova, N. A. Zavol'sky, and V. E. Zapevalov, "A proposal to use reflection with delay for achieving the self-modulation and stochastic regimes in millimeter-wave gyrotrons," *Tech. Phys. Lett.*, vol. 24, pp. 436–438, 1998.

- [7] T. H. Chang, S. H. Chen, L. R. Barnett, and K. R. Chu, "Characterization of stationary and nonstationary behavior in gyrotron oscillators," *Phys. Rev. Lett.*, vol. 87, no. 064 802, 2001.
- [8] G. S. Nusinovich, A. N. Vlasov, and T. M. Antonsen, Jr., "Nonstationary phenomena in tapered gyro-backward-wave oscillators," *Phys. Rev. Lett.*, vol. 87, no. 218 301-1, 2001.
- [9] A. Grudiev and K. Schünemann, "Nonstationary behavior of the gyrotron backward-wave oscillator," *IEEE Trans. Plasma Sci.*, vol. 30, pp. 851–858, June 2002.
- [10] M. I. Airila and P. Kall, "Effect of reflections on nonstationary gyrotron oscillations," *IEEE Trans. Microwave Theory Tech.*, submitted for publication.
- [11] E. Ott, C. Grebogi, and J. A. Yorke, "Controlling chaos," *Phys. Rev. Lett.*, vol. 64, pp. 1196–1199, 1990.



**Markus I. Airila** was born in Kerava, Finland, on March 16, 1975. He received the M.Sc. degree in engineering physics from Helsinki University of Technology, Espoo, Finland, in 2000. Currently, he is working toward the D.Sc. degree at the Helsinki University of Technology.

His research interests include gyrotron theory, nonlinear dynamics, and laser-plasma interactions.



**Olgierd Dumbrajs** (SM'99) was born in Riga, Latvia. He received the B.S. degree in theoretical physics from the Latvian State University, Riga, Latvia, in 1965, and the Ph.D. degree in theoretical particle physics from Moscow State University, Moscow, U.S.S.R., in 1971.

From 1971 to 1985, he was with the Joint Institute for Nuclear Research, Dubna, U.S.S.R., and at several European Nuclear Research Centers. In 1985, he joined the Gyrotron Project at the Forschungszentrum Karlsruhe, Karlsruhe, Germany. He is currently a Professor of theoretical physics at Riga Transport and Telecommunication Institute, Riga, Latvia. He is also a Special Research Worker with the Academy of Finland, Helsinki, Finland, and with the Department of Engineering Physics and Mathematics, Helsinki University of Technology, Espoo, Finland. His current research interests include the field of gyrotron theory, nonlinear dynamics, and plasma physics.

Dr. Dumbrajs is a life member of the American Physical Society. Since 1995, he has been a member of the Experts Group, Coordinating Committee, European Commission for Development Program for the Electron Cyclotron Wave Systems. In 2001, he was elected a full member of the Latvian Academy of Sciences.